



RX Media Filter

- ✓ Unique under drain
- ✓ Low pressure and higher flow
- ✓ Seamless moulded tank
- ✓ 10 year warranty



ASTRALPOOL 	
Multi Media Filter	
MODEL	
✓ RX180	Maximum 180 litres
✓ RX280	Maximum 280 litres
✓ RX320	Maximum 320 litres
✓ RX360	Maximum 360 litres
✓ RX400	Maximum 400 litres
✓ RX500	Maximum 500 litres
✓ ECO350	Maximum 350 litres
✓ ECO380	Maximum 380 litres
✓ ECO450	Maximum 450 litres
✓ ECO750	Maximum 750 litres



RX MEDIA FILTER

The sophistication of modern pools and spas is placing even greater pressures on pumps and filters. That is why we have designed the RX media filter around the high outputs of AstralPool's pump range.

The RX Media filters produce crystal clear water using fine sand or glass media as the filter medium. The unique 12 arm 25mm diameter lateral system enables the pool water to be filtered more effectively in a shorter period of time, saving on operating costs. The low resistance created by the engineered internals means backwashing the filter takes less time and saves valuable water.

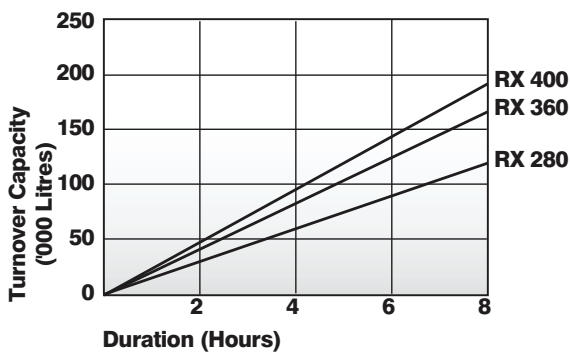
Designed and manufactured with quality and easy to use components make for simple cleaning and media changing. Using seamless rotational moulding techniques, each filter tank has unparalleled strength and stability ensuring maximum life and trouble free operation.

High quality components such as an oil filled gauge, stainless steel and brass hardware as well as quick release clamp bands all help reduce ongoing maintenance and makes operation a breeze.

RX Filters are perfect to combine with Viron Glass Filter media for the cleanest, healthiest and sparkling pool water.

The RX Media Filters are available in 3 sizes complete with multi-port valve, pressure gauge, barrel unions and backwash sight glass. Each filter is covered by a limited 10 year warranty on the tank and 12 month warranty on the valve and internals.

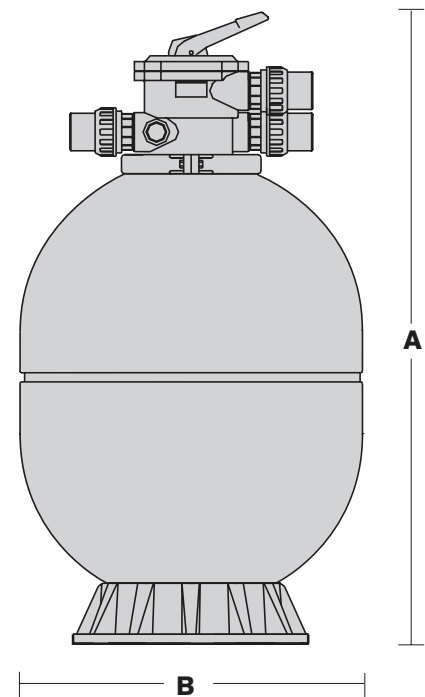
For further details visit astralpool.com.au



SPECIFICATIONS

Model	Filter Area m ²	Nominal Sand kg	Glass Media kg	Flow Rate lpm	Weight kg	Dim "A" mm	Dim "B" mm
RX 280	0.3	125	105	280	22	1010	610
RX 360	0.4	175	135	360	30	1100	690
RX 400	0.43	200	165	400	34	1160	760

Every RX Media Filter has a maximum operating pressure of 250kps, but is tested up to 700kpa.



Available from:



A DIVISION OF
FLUIDRA

Melbourne:	03 8796 8600	Gold Coast:	07 5552 2600
Sydney Seven Hills:	02 9853 2100	Townsville:	07 4796 0100
Sydney Moorebank:	02 8778 9500	Adelaide:	08 8152 7600
Brisbane:	07 3308 5400	Perth:	08 9350 2600

sales@astralpool.com.au
www.astralpool.com.au

facebook.com/astralpoolAU