



Viron Connect 10

Connect your lifestyle

- ✓ Integrating all your pool & spa equipment
- ✓ Pool & Spa Automation
- ✓ One Touch Favourite Mode
- ✓ Optional Wireless Expansion modules



WIRELESS OPTIONS TO MEET YOUR EVERY NEED

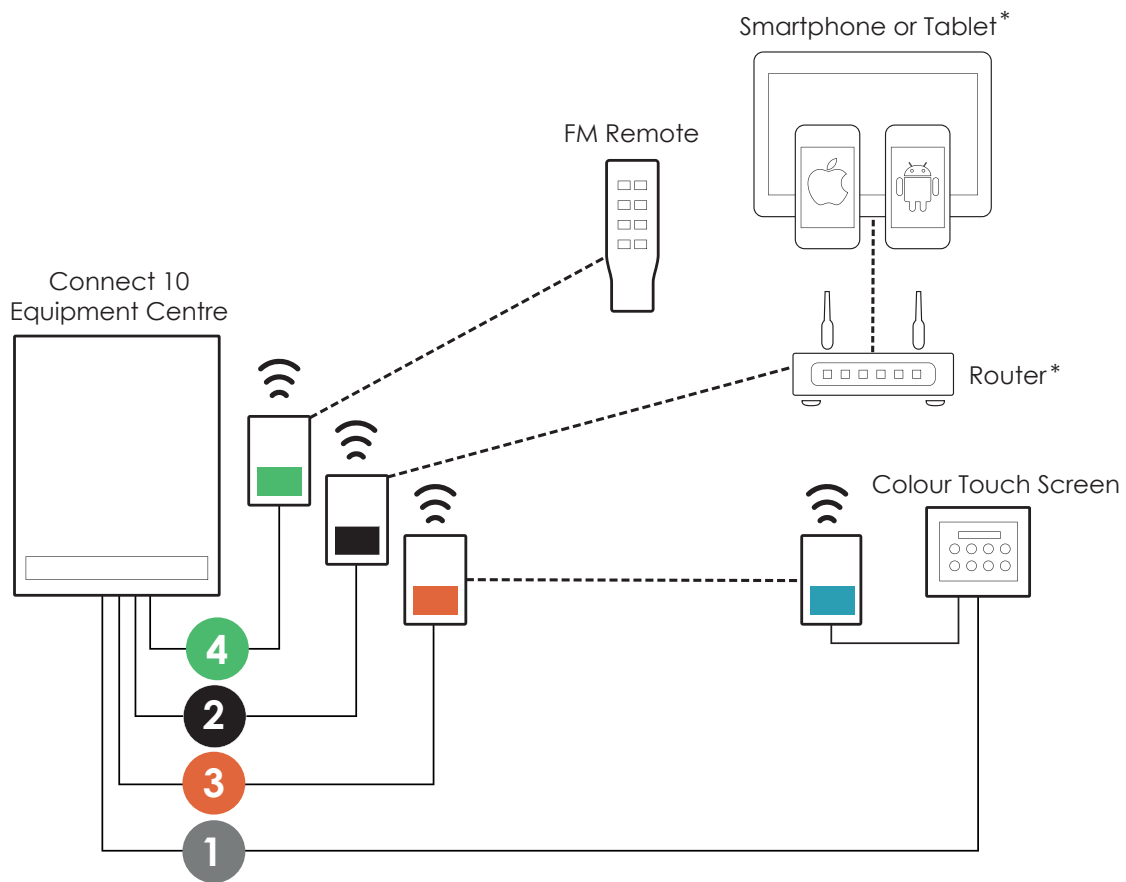
The AstralPool Connect 10 provides the pool owner the option to control all pool equipment, valves, heaters and chlorinators from anywhere inside the home or by mobile device when on the move. One touch “favourite” menus allow a single touch of a button to turn on your favourite spa pool setting, party settings or water feature

and pool lights for a relaxing poolside BBQ. The connect 10 intelligently controls energy efficient pump speeds, water temperature and pool sanitisers when connected to AstralPool filtration and heating equipment and is highly flexible in the way in can be installed, connected and tailored to suit your lifestyle.

CONNECT TO EXPANSION MODULES

Viron Connect is easy to expand. The standard unit allows for 4 separate items of equipment, plus a heater and motorised valve operation. Add the Connect 8 module and this expands to 8 items of equipment, plus heater and motorised valves. Viron also integrates perfectly with AstralPool's

Delta colour changing underwater LED lighting system and the LED colour changing waterfalls – allowing you to select standard colour changing programs or individually blend millions of colours to suit your pool and backyard amenity.



KEY	PRODUCT	STANDARD	OPTIONAL
1	Colour Touch Screen	✓	-
2	Ethernet Internet Gateway	-	✓
2	Wireless Internet Gateway	-	✓
3	Wireless Touch Screen Connection	-	✓
4	FM Hand Held Remote Transceivers	-	✓

STANDARD CONNECTION

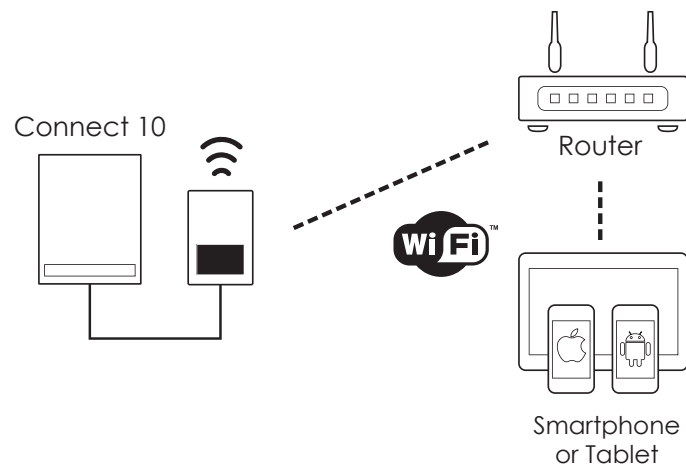
1 CABLE

A standard wired connection comes included with your Connect 10. For more flexibility consider the other wireless Connect options for flexibility.



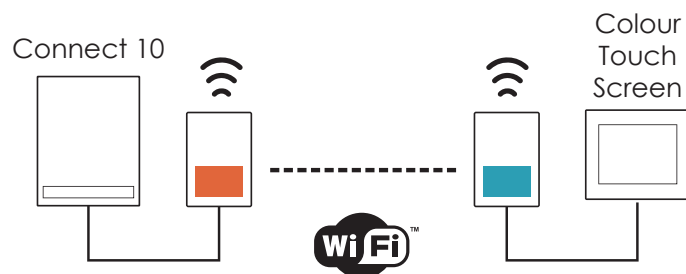
2 INTERNET GATEWAY

The Optional Internet Gateway allows an ethernet connection or WiFi connection to your home router. Once connected, download the connectmypool app to your mobile device and start controlling your pool and spa from anywhere in the home or on the move (Home router and Smartphone/Tablet are not included).



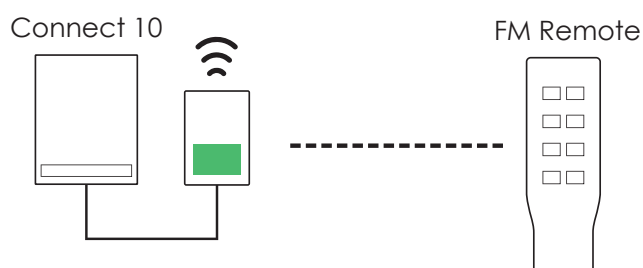
3 WIRELESS TOUCH SCREEN

The TouchScreen can be located in the equipment or located inside the home in a convenient location that allows easy access for the whole family. Connect between the Touchscreen controller and the Equipment centre is made with RJ12 cable OR you can purchase the optional Wireless Transceivers system. The Wireless Transceivers system eliminates the need for difficult to install cable between the house and the pool equipment. Alternatively, leave the Touchscreen installed in the equipment centre and simply control your whole pool from your iPhone, iPad or Android device via the Internet Gateway.



4 FM REMOTE CONTROL

The optional handheld Remote Control is waterproof and turns 8 different appliances on and off, including heaters or controls 3 different speeds for a variable speed pump and 5 other appliances. Not just a dumb remote, the Viron Connect remote control is a two way transceivers - a LED flashes to let you know the signal has been received and activated by the equipment centre. The Connect remote control is ideal for controlling spa blowers, jets, lights and heating when using your spa pool.



CONNECT YOUR LIFESTYLE

Your pool and spa are all about enhancing your lifestyle. Whether for fun and entertainment, exercise and health the installation of a swimming pool is one of the most important decisions you are likely to make.

However, today's pools do more than just provide a body of water to swim or relax in. Heaters, waterfalls, colour changing underwater lights all require switches and controls to turn them on and off.

The modern pool and spa can be so complex that often, only one or two people in the house can operate it – and even then they are required to visit the pool equipment at the rear of the property.

Viron Connect is to the swimming pool what home automation is to the modern home. An advanced LCD touch screen interface enables the whole family to use the pool and spa, whenever and however, as it integrates all of the equipment.

Lighting, waterfalls, pool & spa temperature, automatic cleaning systems are all controlled by the Viron Connect and programmed to operate up to four times each day.

ONE TOUCH FAVOURITE MODE

Imagine, its night time and you feel like a hot spa before bed. One touch of your favourite setting on your Viron Connect, and the spa is heating, the lighting is on and massage jets are working. Viron Connect tells you when the temperature is just perfect, and your spa is ready to enjoy.

All your favourite and common pool and spa settings are simply programmed into Viron

Connect, so that all the family can enjoy at the touch of a button. Perhaps it's "School Holiday" mode or "Dinner Party" mode, where the lights and water features are operating. Maybe it's "Day Spa" where the family can alternate between the hot spa and cool pool. Up to eight favourite modes can be preset into your Viron Connect to make it flexible, convenient and enable you to obtain the most from your lifestyle investment – the backyard pool.

And the Connect 10 has huge range of wireless and internet options that allows control from virtually anywhere, sitting in the spa with the waterproof hand held remote, on the way home from work via your tablet or smartphone, or simply from your lounge or dining room.



Available from:



A division of
FLUIDRA

Melbourne:	03 8796 8600	Gold Coast:	07 5552 2600
Sydney Seven Hills:	02 9853 2100	Townsville:	07 4796 0100
Sydney Moorebank:	02 8778 9500	Adelaide:	08 8152 7600
Brisbane:	07 3308 5400	Perth:	08 9350 2600

sales@astralpool.com.au
www.astralpool.com.au

facebook.com/astralpoolAU