



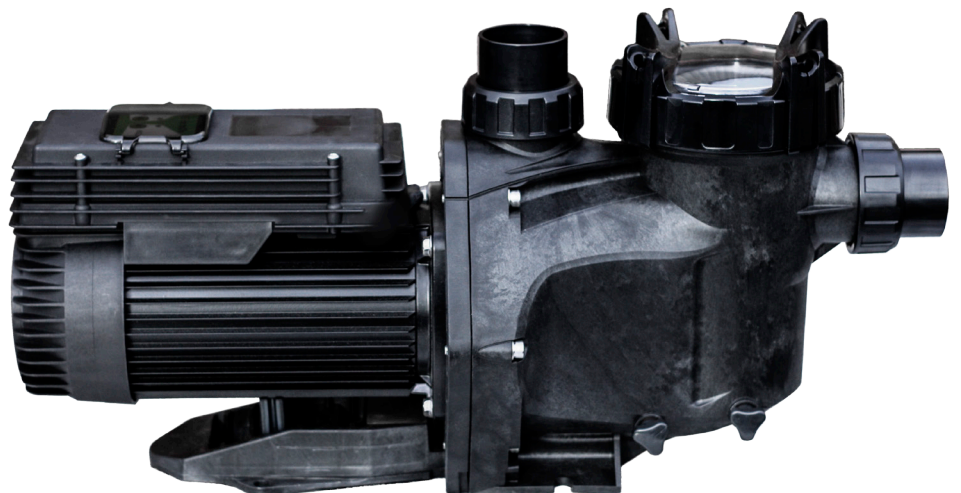
ENERGY EFFICIENT POOL PUMP



e-Combi EEV2 Energy Efficient Pool and Spa Pump

Energy efficiency at an affordable price

- ✓ Robust long life design
- ✓ Save up to \$700 a year over your conventional single speed pump
- ✓ Simple to operate
- ✓ 5 minute priming period minimise run dry and premature pump wear
- ✓ 316 S/S hardware
- ✓ Large hair and lint basket minimises maintenance
- ✓ 3 year warranty



ENVIRONMENTALLY
FRIENDLY



ENERGY
EFFICIENT



PLUG & PLAY



AUSTRALIAN MADE
& DESIGNED

ENERGY EFFICIENCY WITHOUT THE PRICE TAG

AstralPool lead the market with energy efficient swimming pool pumps. Your swimming pool pump is one of the most costly home appliances to operate. A standard 1.0 hp single speed pump operating 8 hours a day, 365 days a year will cost around \$850 a year to operate.

AstralPool's new eCombi EEV2 pool pump minimises the up front investment to install your own energy efficient pool pump. With two speeds and an electronic 5 minute priming period, the eCombi pump can save over \$700 a year on your pool's operating costs.

The clever electronic control remembers which speed you set, no matter how often the pump is turned on and off, but the eCombi always starts on high speed for 5 minutes to ensure the pump is fully primed with water before reverting to low speed.

Utilising the best quality materials, including high quality mechanical seal, all 316 Stainless Steel fasteners and high temperature engineering plastics, your new eCombi pump will last for years and ensure that your annual power saving is repeated every year for years to come.

The easy to remove lid secures a large hair and lint basket which minimises your regular maintenance on the pump and allows the pump to run longer before blocking with leaves and debris.

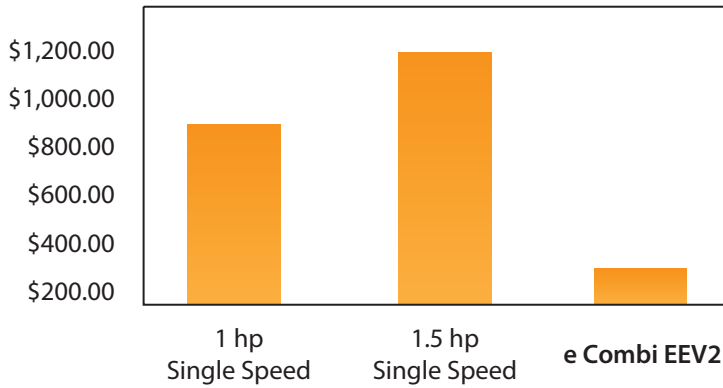
Utilising the low speed setting on your pump has a host of other benefits as well:

- Significantly quieter operation and less intrusive to you and neighbours
- Lower water pressure means all other equipment will last longer with less maintenance
- Gentle velocity through filter will create cleaner, clearer and higher quality water

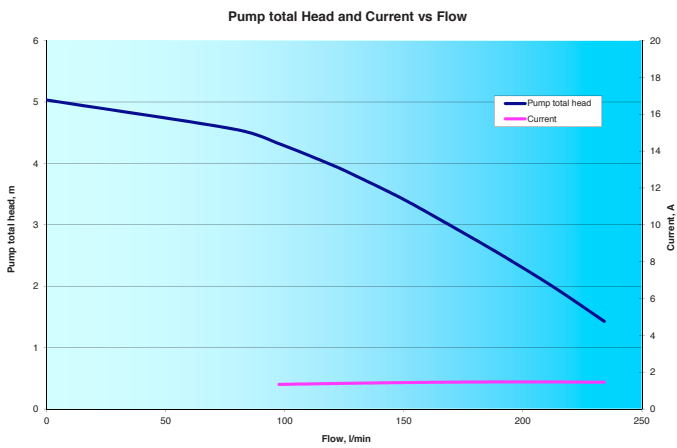
In fact, the only time you will want to operate your pump on high speed is when you are backwashing your filter or vacuuming the pool. In most cases, your suction cleaner will also operate on low speed.



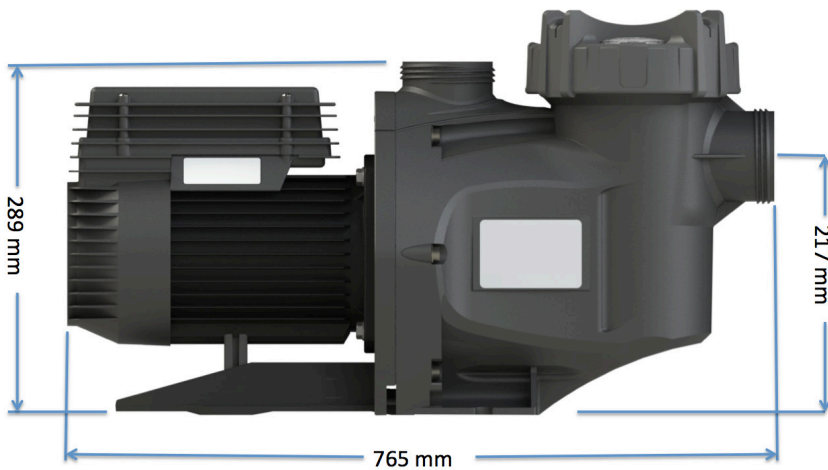
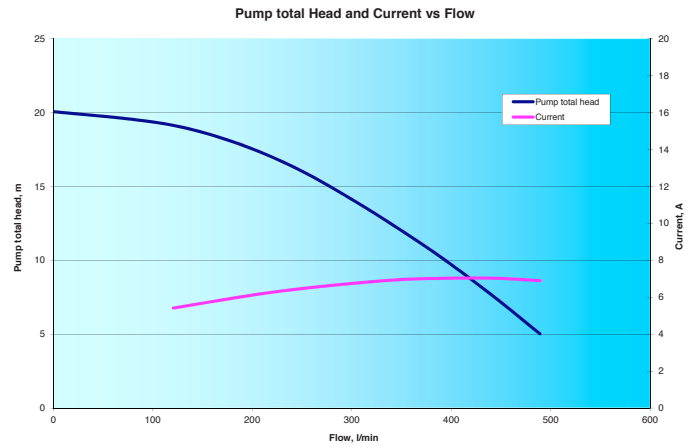
ESTIMATED OPERATING COSTS OVER ONE YEAR AT 28 CENTS A KW/HR



LOW SPEED FLOW CURVE



HIGH SPEED FLOW CURVE



The eCombi pump is covered by a limited 3 year in field warranty - refer to AstralPool.com.au for full warranty details.

SPECIFICATIONS

Watts Input		High / Low Speed		Noise @ 1m		Full Load Amps	
High Speed	Low Speed	Flow @ 8m/hd	Flow @ 2m/hd	High Speed	Low Speed	High Speed	Low Speed
1600	330	450 lpm	214 lpm	63 dBA	57 dBA	6.9	1.47



Available from:



A division of
FLUIDRA

Melbourne:	03 8796 8600	Gold Coast:	07 5552 2600
Sydney Seven Hills:	02 9853 2100	Townsville:	07 4796 0100
Sydney Moorebank:	02 8778 9500	Adelaide:	08 8152 7600
Brisbane:	07 3308 5400	Perth:	08 9350 2600

sales@astralpool.com.au
www.astralpool.com.au



facebook.com/astralpoolAU